

Vivenis

3-hole basin mixer 90 with pop-up waste set

Surfaces: **Matt Black** Article Number: **75033670**



Description

product features

- consists of: 3-hole basin mixer, waste set
- ComfortZone 90
- projection: 150 mm
- spout height: 91 mm
- spray type: WaterfallStream
- maximum flow rate at 3 bar: 5 l/min
- ceramic valves hot/ cold 90°
- suitable for continuous flow water heaters
- pop-up waste set G 1¼
- material waste set: metal
- connection type: G ¾ connections
- connection dimension: DN15

Technology



Design awards



reddot winner 2021



GERMAN
DESIGN
AWARD
WINNER
2022

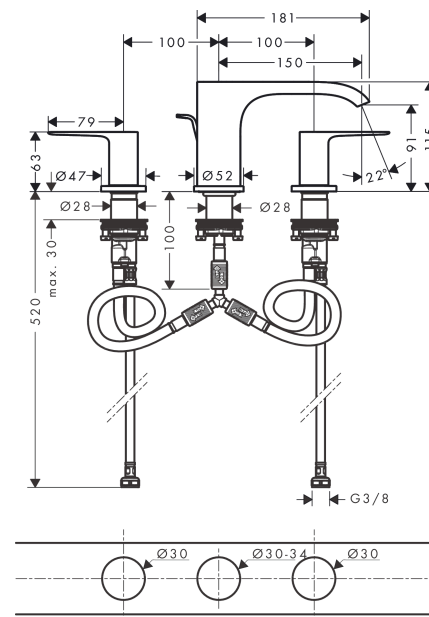
Certificates



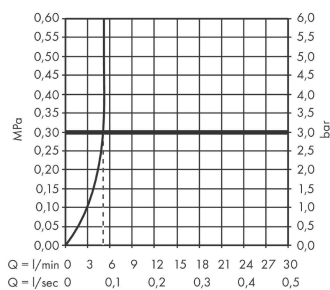
Product image



Scale drawing



Flowchart



Vivenis

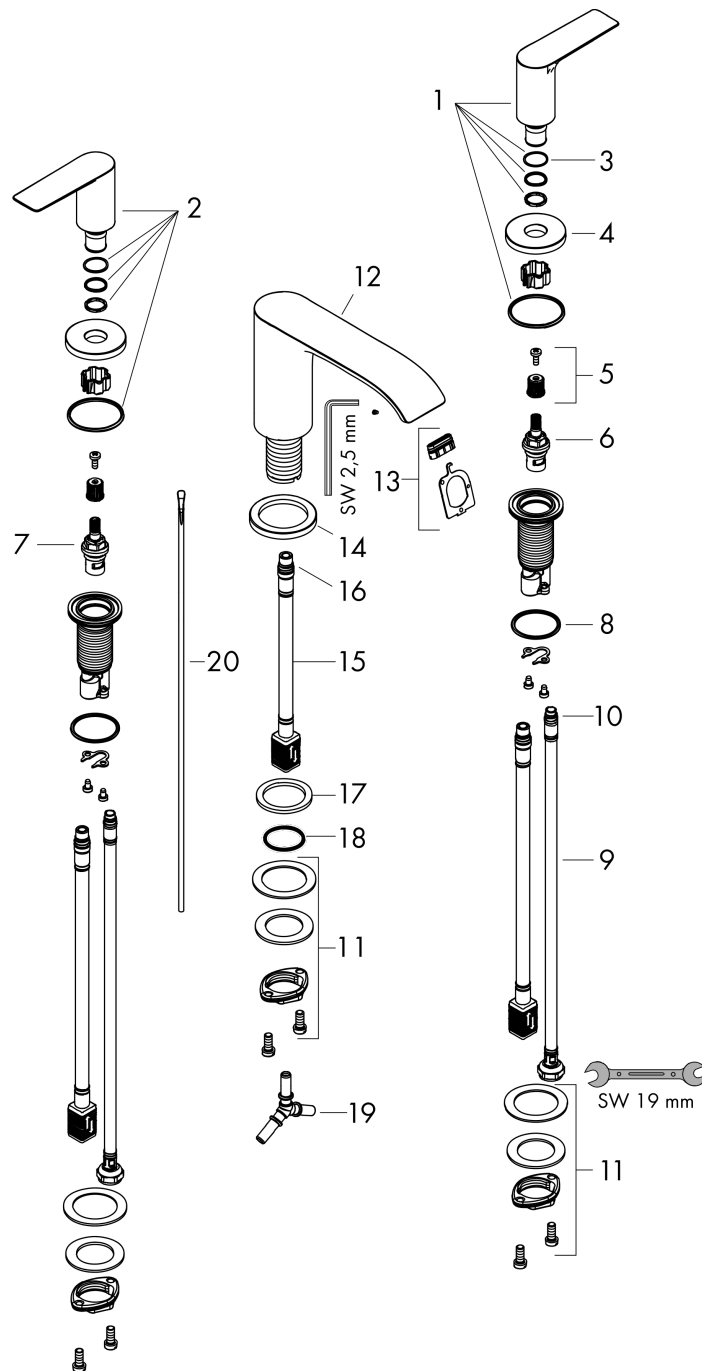
3-hole basin mixer 90 with pop-up waste set

Surfaces: **Matt Black** Article Number: **75033670**



Exploded Drawing

Year of production: >06/21



Vivenis

3-hole basin mixer 90 with pop-up waste set

Surfaces: **Matt Black** Article Number: **75033670**



Spare part list

Year of production: >06/21

Pos.	Description	Article Number	Price	PU
1	handle for cold water	94307670	€ 129,23	1
2	handle for hot water	94306670	€ 129,23	1
3	O-Ring 14x1,5	98201000	€ 3,21	1
4	escutcheon for handle	92956670	€ 42,36	1
5	handle fixing set	98932000	€ 13,92	1
6	shut off unit left closing	95366000	€ 28,20	1
7	shut off unit right closing	98817000	€ 28,20	1
8	O-ring 33x2,5	92907000	€ 3,21	1
9	connection hose 450 mm M8x0,75 G3/8	97206000	€ 28,20	1
10	O-ring 6,6x1,6	93019000	€ 3,21	1
11	fixing set (Ø 28)	92909000	€ 18,33	1
12	spout cpl.	94308670	€ 150,65	1
13	spray former	94275000	€ 35,94	1
14	escutcheon for spout	94309670	€ 85,68	1
15	connection hose 200 mm M10x1	92913000	€ 44,63	1
16	O-ring 8x1,75	97827000	€ 3,21	1
17	flat seal	98749000	€ 5,24	1
18	O-ring 26x4	92191000	€ 3,21	1
19	hose connection angel	92905000	€ 13,92	1
20	pull rod	96657000	€ 11,31	1
a	pop up waste	94139670	€ 150,65	1